



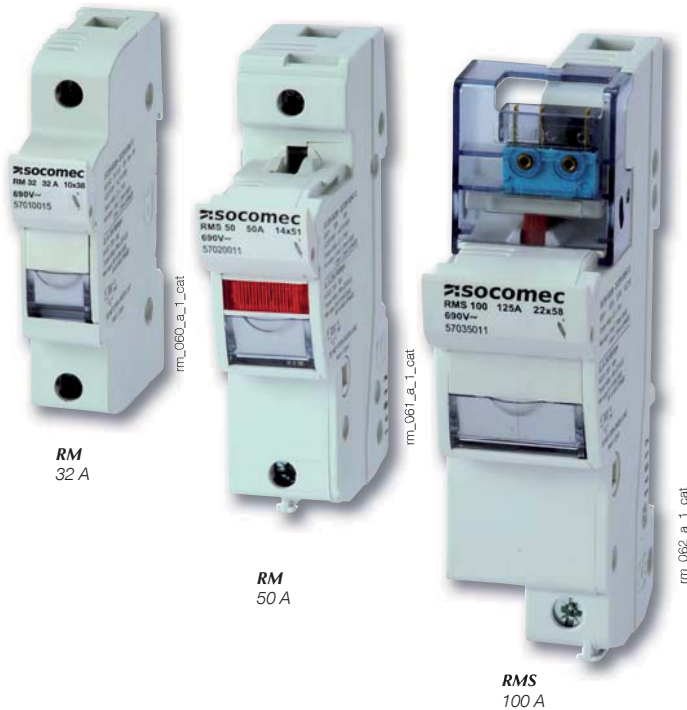
RM - RMS

Fuse disconnect switches

for industrial and high speed cylindrical fuses up to 125 A

Fuse protection

new



The solution for

- > Small outputs.

Strong points

- > Improved safety.
- > High breaking capacity.
- > Specific format and accessories.
- > Label holder.

Large range

- > Pre-break, please consult us.

Conformity to standards

- > IEC 60269-2-1
- > IEC 60269-1
- > IEC 60269-2
- > NF EN 60269-1
- > NF C 63-210
- > NF C 63211
- > VDE 0636-10
- > DIN 43620



Function

RM and RMS are modular fuse disconnect switches for cylindrical fuses. They provide safety disconnection and protection against overloads and short-circuits in any low voltage electrical circuit.

- RM: fuse disconnect switches without signalisation (for fuses without striker).
- RMS: fuse disconnect switches with pre-break, position signalisation and blown indication auxiliary contact.

Advantages

Improved safety

- Omnipolar and simultaneous breaking.
- High dielectric strength. Protection IP2X.

Specific format and accessories.

- Modular DIN 45 mm cut-out.
- Interlocking with accessory available.

High breaking capacity

Protection against overloads and short-circuits thanks to high breaking capacity fuses (100 kA rms).

References

RM - Device without signalisation

Basic device Fuse size	32 A 10 x 38		50 A 14 x 51		100 A 22 x 58	
	No. of poles	To be ordered in multiples of	Reference	To be ordered in multiples of	Reference	To be ordered in multiples of
1 P	12	5701 0015	6	5702 5001	6	5703 5001
1 P + N (1 module)	12	5601 5005				
1 P + N (2 modules)	6	5701 0017	3	5702 5005	3	5703 5005
1 P with LED signalling	12	5701 0011	6	5702 0011	6	5703 0011
2 P	6	5701 0020	3	5702 5002	3	5703 5002
3 P	4	5701 0018	2	5702 5003	2	5703 5003
3 P + N	3	5701 0019	1	5702 5004	1	5703 5004
4 P			1	5702 5006	1	5703 5006
N	12	5701 0016	6	5702 5000	6	5703 5000

RMS - Device with signalisation auxiliary contact⁽¹⁾

No. of poles	To be ordered in multiples of	Reference	To be ordered in multiples of	Reference
1 P with 1 AC	6	5702 5011	6	5703 5011
2 P with 2 AC	3	5702 5012	3	5703 5012
3 P with 1 AC	2	5702 5013	2	5703 5013
3 P with 1 AC N			1	5703 5014
3 P + N with 1 AC	1	5702 5014		
4 P with 2 AC			1	5703 5016

(1) The signalisation auxiliary contact provides the pre-break, fuse presence and also signals a blown fuse.

Think about it



10x38 RMs equipped with 0.5A gG fuses provide effective protection for voltage inputs and auxiliary supplies for all our electronic devices (DIRIS, COUNTIS, ISOM, RESYS differential relays, etc.).

RM - RMS

Fuse disconnect switches

for industrial and high speed cylindrical fuses up to 125 A

Accessories

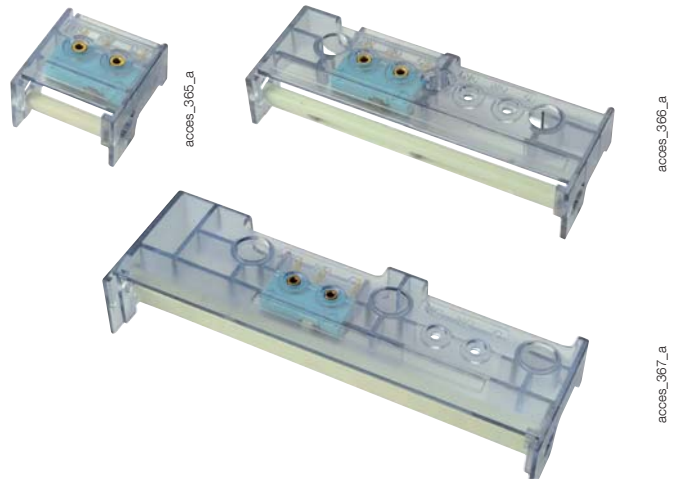
Auxiliary contact

Use

- Pre-break, presence and fuse blown for RMS 50 and 100:
1 or 2 NO/NC auxiliary contacts

Connection

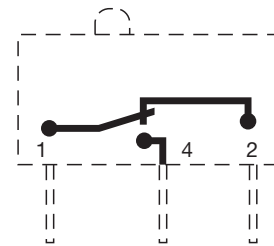
By 6.35 mm fast-on terminal.



Characteristics		Operating current I_o (A) 250 VAC AC-13
Rating (A)	Contact type	
50 ... 100	NO/NC contact	5
50 ... 100	Two level NO/NC contacts	0.1

References NO/NC contact for RMS		
Rating (A)	Contact(s)	Reference
50	1 P with 1 AC	5702 9901
50	3 P with 1 AC	5702 9903
50	3 P with 2 AC	5702 9030
100	1 P with 1 AC	5703 9901
100	3 P with 1 AC	5703 9903
100	3 P with 2 AC	5703 9030

Two-level NO/NC contact for RMS		
Rating (A)	Contact(s)	Reference
50	1 P with 1 AC	5702 9911
50	3 P with 1 AC	5702 9913
100	1 P with 1 AC	5703 9911
100	3 P with 1 AC	5703 9913

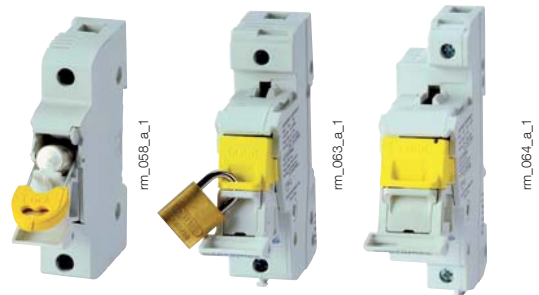


Handle key interlocking accessories

Use

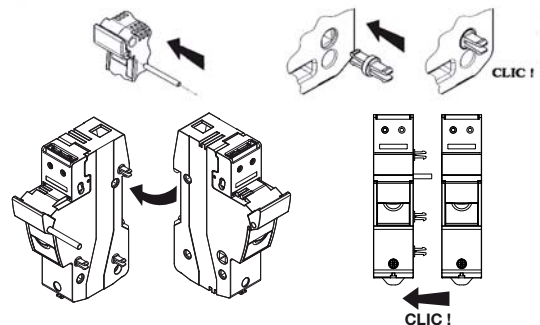
Padlocking of the handle (padlock not supplied).

For RM and RMS	
Rating (A)	Reference
32	5701 9040
50	5702 9040
100	5703 9040



Coupling system for RM	
Rating (A)	Reference
32	5704 0003 ⁽¹⁾⁽²⁾
50 ... 100	5702 9020 ⁽¹⁾⁽²⁾

(1) 1 coupling device allows to link 2 RM/RMS.
(2) 1 reference = 1 pack of 12 coupling devices.
Also sold separately (packs of 100 pieces) for the coupling of large quantities. Please consult us.



Improved isolation kit

Rating (A)	Reference
32	5701 9010 ⁽³⁾

(1) 1 coupling device allows to link 2 RM/RMS.
(2) 1 reference = 1 pack of 12 coupling devices.
Also sold separately (packs of 100 pieces) for the coupling of large quantities. Please consult us.
(3) 1 reference = 1 pack for 10 RM devices.



Characteristics according to IEC 60947-3

32 to 100 A

Thermal current I_{th} (20 °C)	32 A	50 A	100 A
Fuse size	10 x 38	14 x 51	22 x 58
Rated insulation voltage U_i (V)	690	690	690
Fuse rating (A)			gG/aM
to 400 VAC	32	50	100/125
to 500 VAC	32	50	100/125
to 690 VAC		50	100/125
Fuse protected short-circuit withstand			
Prospective short-circuit (kA rms) ⁽¹⁾	100	100	100
Design current derating coefficient for N pole side by side			
N = 1 ... 3	1	1	1
N = 4 ... 6	0.8	0.8	0.8
N = 7 ... 9	0.7	0.7	0.7
N ≥ 10	0.6	0.6	0.6
Connection			
Minimum Cu cable cross-section (mm ²)	1.5	1.5	1.5
Maximum Cu cable cross-section (mm ²)	25 ⁽³⁾ /16 ⁽⁴⁾	35 ⁽³⁾ /25 ⁽⁴⁾	50 ⁽³⁾ /35 ⁽⁴⁾
Maximum Cu cable cross-section (mm ²) ⁽²⁾	16 ⁽³⁾ /10 ⁽⁴⁾		
Tightening torque	2.5	2.5 ... 3	3.5 ... 4
Mechanical characteristics			
Weight of 1 P or N (kg)	0.1	0.15	0.21
Weight of 1 P + N (kg)		0.31	0.44
Weight of 3 p + N (kg)		0.70	1.10

(1) For a rated operational voltage $U_o = 400$ VAC.

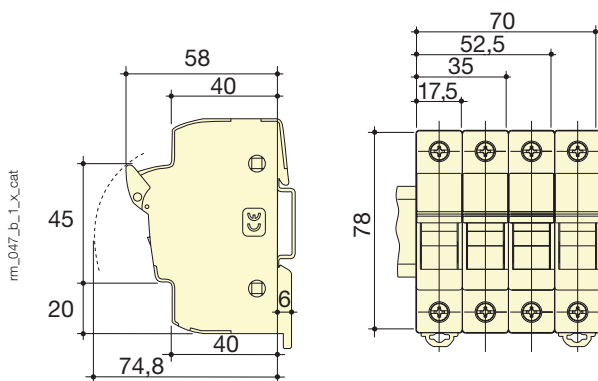
(2) Connection for RM32 1pole + N (1 module).

(3) Rigid cable.

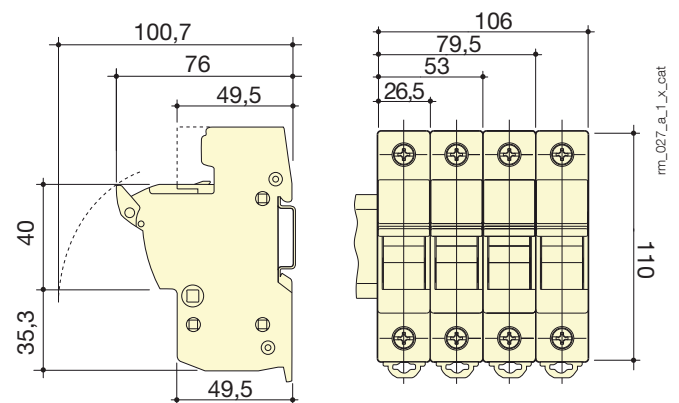
(4) Flexible cable.

Dimensions

RM 32 A



Single and multipolar RM / RMS 50 A



Single and multipolar RM / RMS 100 A

