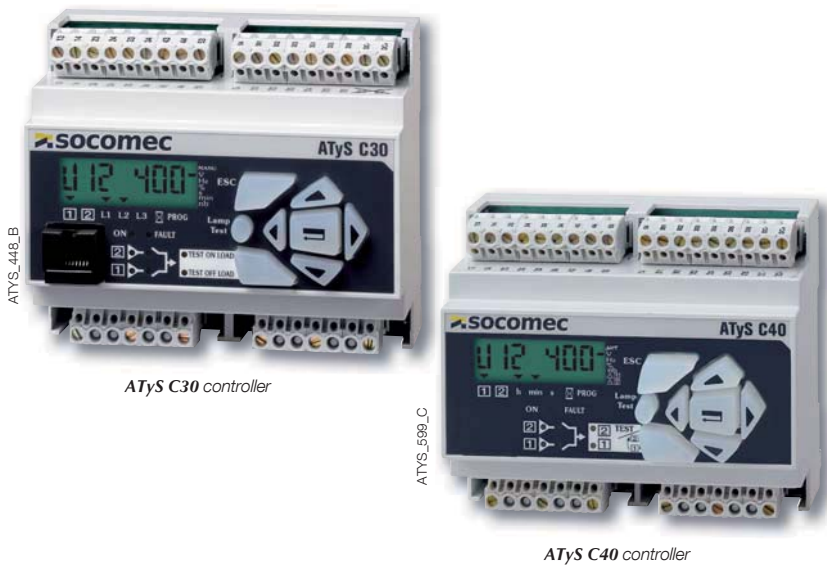




ATyS C30/C40

Control relays

Changeover switches



ATyS C30 controller

ATyS C40 controller

The solution for

- > Non critical buildings.



Strong points

- > Auxiliary power supply.
- > Modular device.
- > Extended compatibility of use.

Conformity to standards

- > IEC 61010-1
- > IEC 61000-4-x
- > IEC 60068-2-x



Function

ATyS C30/C40 are modular control relays. ATyS C30/C40 allows any type of motorised changeover control: ATyS and ATyS M, contactors, circuit breakers or other motorised switches.

General characteristics

ATyS C30

- ATyS D10 or D20 connection available.
- Inputs for auxiliary contact position information.
- 3U measurement on network 1 and 1U on network 2.
- 2 programmable inputs for the following functions: test on/off load, manual retransfer, priority source selection, automatic inhibit...
- Up to 2 programmable outputs for the following functions: source availability information, load shedding relay and circuit breaker control.
- 1 relay output for generator control.

ATyS C40

- Dual genset controller with a redundant genset application cycle (basic cycle).
- 1U measurement on each source - generator 1 & generator 2.
- 3 programmable inputs for the following functions: start/stop transfer cycle, manual retransfer, automatic inhibit...
- 1 programmable output for the following functions : source availability information and circuit breaker control.
- 2 generator control contacts (Gen1 & Gen2).

Advantages

Auxiliary power supply

Two versions of the ATyS C30 are available. One version with an AC supply via the measurement inputs and another with a DC auxiliary supply.

Modular device

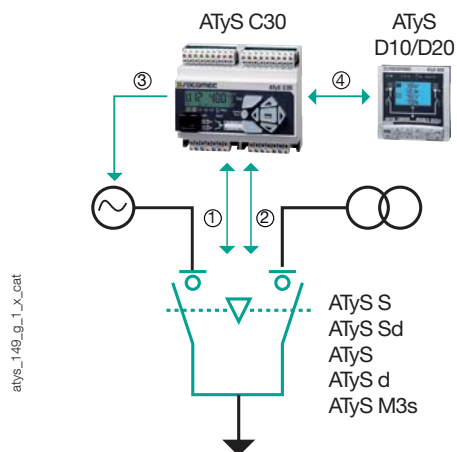
The ATyS C30 and C40 are modular products (6 modules, 105 mm wide) which can be DIN rail mounted.

Extended compatibility of use

The product is used with Socomec changeover switches, or those using identical technology. It is also compatible with contactor and circuit breaker technologies.

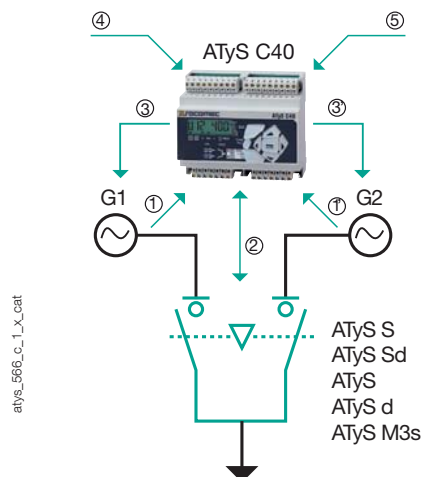
Configurations

ATyS C30: Transformer/transformer and transformer/generator applications



1. Measurement and power supply
2. Control and position information feedback
3. Generator start / stop control
4. ATyS display/interface connection

ATyS C40: Generator/generator applications



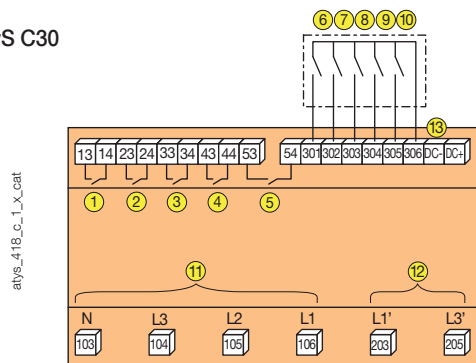
- 1 and 1. 1U measurement for each generator
2. Control and position information feedback
- 3 and 3'. Generator "start/stop" control
4. External "start/stop" command for basic cycle
5. DC power supply

Electrical characteristics

Supplied from measurement circuit	110 ... 400 VAC
DC power supply	9 ... 30 VDC
Measurement range	110 ... 400 VAC / ± 10 %
Frequency	50/60 Hz
Accuracy	± 1 %

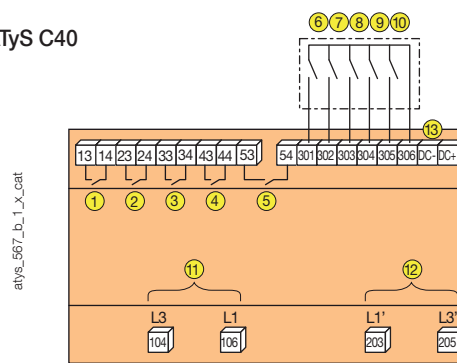
Terminals

ATyS C30



1. Generator start / stop control
2. Position 1 control
3. Position 2 control
4. O1: programmable output
5. O2: programmable output
6. AC1: auxiliary contact position 1
7. AC1: auxiliary contact position 0
8. AC0: auxiliary contact position 2
9. I1: programmable input
10. I2: programmable input
11. Source 1 : 3 U network measurement and power supply
12. Source 2 : 1 U network measurement and power supply
13. DC power supply 9-30 VDC (version 1599 3031)

ATyS C40



1. Generator G1 start / stop control
2. Position 1 control
3. Position 2 control
4. O1: programmable output
5. Generator G2 start / stop control
6. AC1: auxiliary contact position 1
7. I3: programmable input
8. AC2: auxiliary contact position 2
9. I1: programmable input
10. I2: programmable input
11. Generator G1 : 1U measurement
12. Generator G2 : 1U measurement
13. DC power supply 9-30 VDC

References

Type	ATyS C30 Reference	ATyS C40 Reference
Supplied from measurement circuit	1599 3030	
DC power supply	1599 3031	1599 3040